

S U P P L Y I N G   C L E A N   A I R   T O   I N D U S T R Y

## **MODEL M32V**

# Portable Media Air Cleaner

**FEATURING THE NEW EXTENDED SERVICE FILTER**



*The new M32 from Air Quality Engineering, Inc. is a self-contained media air cleaning system designed for source capture applications in industry. The M32 includes the new E.S.F. micro-glass filters for long filter life and high efficiencies to effectively remove smoke, mist, dust and other airborne contaminants at a rate of up to 1300 cfm.*

# M32V FEATURES & SPECIFICATIONS

DIMENSIONS: 61"H x 20"W x 40"L

WEIGHT: 285 lbs. installed  
370 lbs. shipping weight

CABINET: 16 gauge welded steel cabinet with a baked enamel, textured coated finish. Built-in sump and drain connection for oil mist removal. Four heavy-duty swivel locking casters.

POWER INPUT:

Model	Vac	Hz	Phase	Amps	Watts
M32V1003	120	60	1	12	1100
M32V1011	208-240	60	1	6.6-6	1100

MOTOR: 1 HP, ball bearing.

BLOWER: Forward curved, ball bearing, belt driven centrifugal blower. This blower is capable of moving 2250 cfm free air.

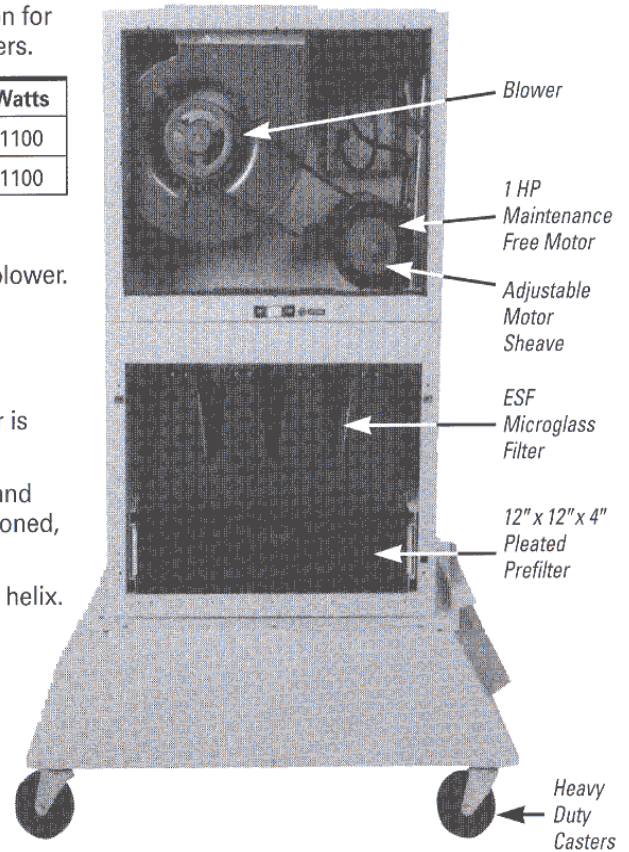
INSTRUMENTATION: **Dirty Filter Gauge** – Factory installed pressure gauge designed to determine filter replacement cycle.

**Indicator Light** – Light indicates that the blower motor is energized properly.

MECHANICAL ARM: 10' externally supported arm swings 180° on its axis and reached from floor to 11' high. Once this arm is positioned, the hood and hose remain in place until moved.

HOSE: 8" diameter EPDM rubber hose with an enclosed wire helix. This hose is 10' long.

SOUND LEVELS: 67 dBA at 9', 66 dBA at 15'.



## FILTER SELECTION:

PREFILTER: 30-35% efficiency, pleated, 12" x 24" x 4".

PRIMARY FILTER CHOICES: Dimensions on the E.S.F. 12" x 24" x 12".

Extended Service Filter PM	Filter Efficiency*	CFM = Cubic Ft. Per Minute
		Air Flow, 1 HP, Single Arm
41136	95-98% Bag	1145 CFM**
41137	85-90% Bag	1160 CFM**
41138	65-70% Bag	1200 CFM**

The new E.S.F. (Extended Service Filter) offers a dramatic increase in filter life due to the large media surface area. 100 sq. ft.

\*Efficiency based on ASHRAE Dust Spot 52.76.

\*\*1.5HP upgrade increases air flow up to 20%.

## ADDITIONAL FEATURES:

- 36 month parts warranty.
- One externally supported 10' arm with 8" diameter flexible hose with hood.
- One HP maintenance-free motor.
- 35% 4" pleated prefilter.
- 10' power cord with molded plug.
- Extended service filter.

## OPTIONAL EQUIPMENT:

- Halogen light for source capture hood.
- Double arm configuration.
- 1.5 HP motor upgrade.
- 95% DOP primary filter.
- 65% pleated prefilter.